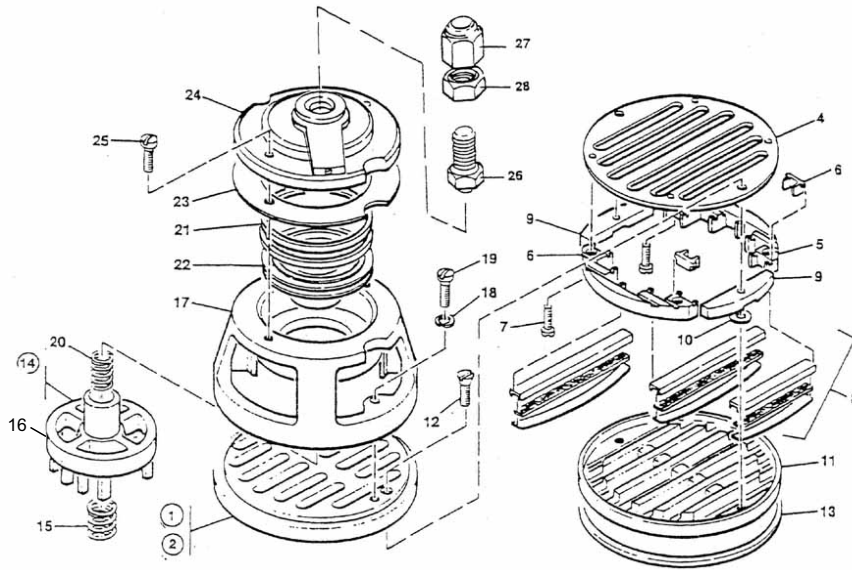


**97058085 - VALVE COMPLETE FAU & INLET**



No.	Description	Ref Part No.	QTY
-	<b>VALVE COMPLETE FAU &amp; INLET</b>	<b>97058085</b>	-
4A-1	- VALVE - INLET COMPL	37021110	1
4A-2	-- SEAT COMPL - INLET	37788494	1
4A-4	-- PLATE - SEAT	37021219	1
4A-5	-- HOLDER - GUIDE	31459019	2
4A-6	-- GUIDE - VALVE (BOX OF 24)	37026424	1
4A-7	-- SCREW - BUTTON HD	37025988	4
4A-8	-- SET - CHAN & SPRING	37021417	1
4A-9	-- BALANCER - FLOW	37074093	2
4A-10	-- WASHER	37039377	2
4A-11	-- STOPPLATE - INLET	30249247	1
4A-12	-- SCREW - FLT HD MACHINE	95110581	2
4A-13	- GASKET - VLV SEAT	30550867	1
4A-14	- UNLOADER - FAU COMPL (Bronze)	39691274	1
4A-15	-- SPRING - LIFTING	30576490	1
4A-16	-- PLUNGER - UNLOADER	30164388	1
4A-17	-- CAGE - UNLOADER	33822735	1
4A-18	-- WASHER - LOCK	95081873	2
4A-19	-- SCREW - FILL HD MACH	95111134	2
4A-20	-- SPRING - UNLOADING	30417000	1
4A-21	-- RING - PISTON	30425029	2
4A-22	-- PISTON - UNLOADER	30162101	1

**97058085 - VALVE COMPLETE FAU & INLET**

<b>No.</b>	<b>Description</b>	<b>Ref Part No.</b>	<b>QTY</b>
4A-23	-- GASKET - UNLOADER	35155712	1
4A-24	-- COVER - UNLOADER	97073282	1
4A-25	-- SCREW - FILL HD MACH	95321394	2
4A-26	- SETSCREW VALVE	97073837	1
4A-27	- NUT - SETSCREW	97073860	1
4A-28	- NUT - JAM	95117065	1